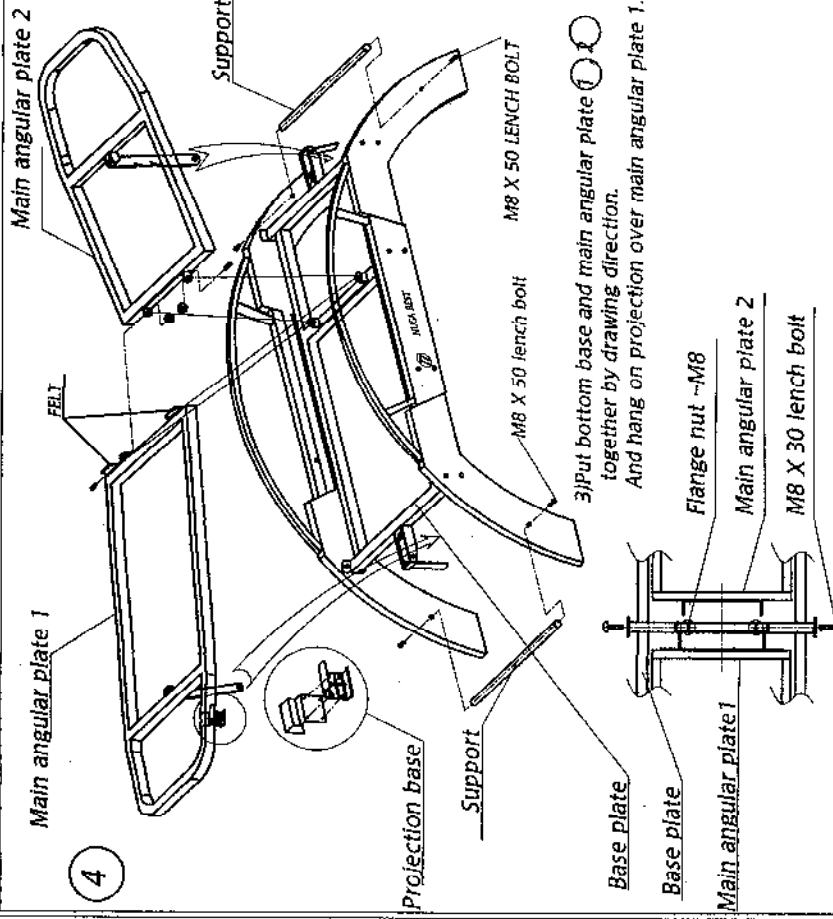
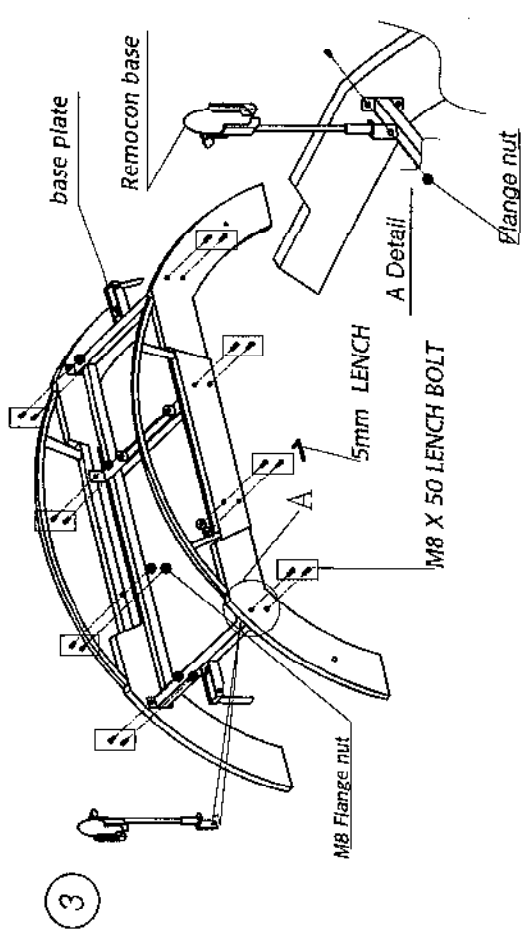
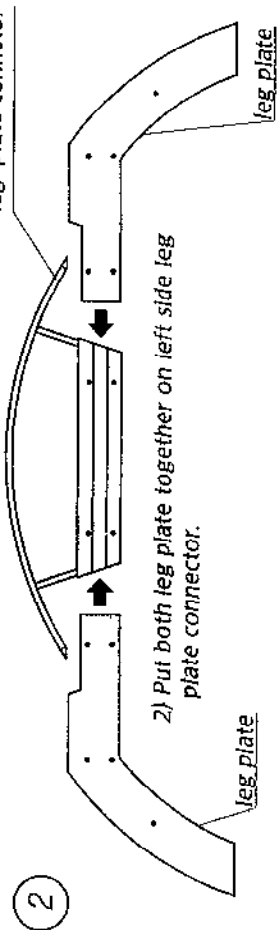
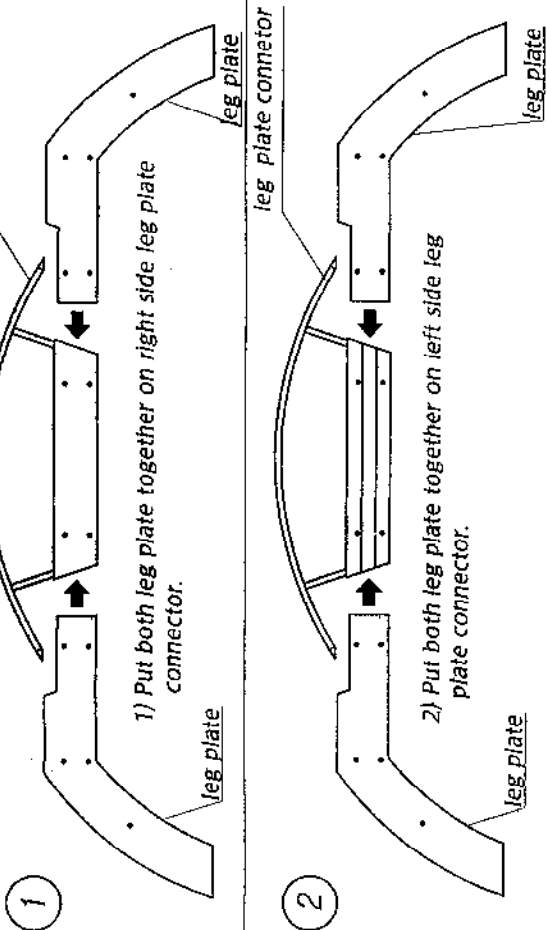
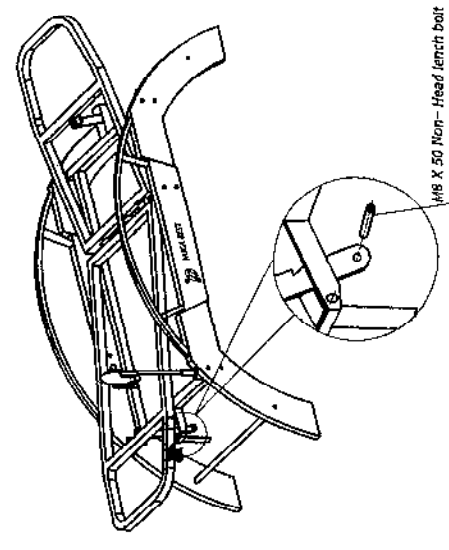


**NM-5000 ASSEMBLE DIRECTION**



NO	BOLTS TYPE & NAME	Q.TY
1	LEG PLATE	4
2	LEG PLATE CONNECTOR	2
3	MAIN ANGULAR PLATE 1	1
4	MAIN ANGULAR PLATE 2	1
5	BASE PLATE	1
6	SUPPORT	2
7	PROJECTION BASE	1
8	REMOCON BASE	1
9	M8 X 50 LENCH	20
10	M8 X 30 LENCH BOLT	2
11	M8 FLANGE NUT	18
12	M8 X 50 HEAD BOLT	2
13	5mm L LENCH	1
14	FELT	2



M8 X 50 Non-Head lench bolt