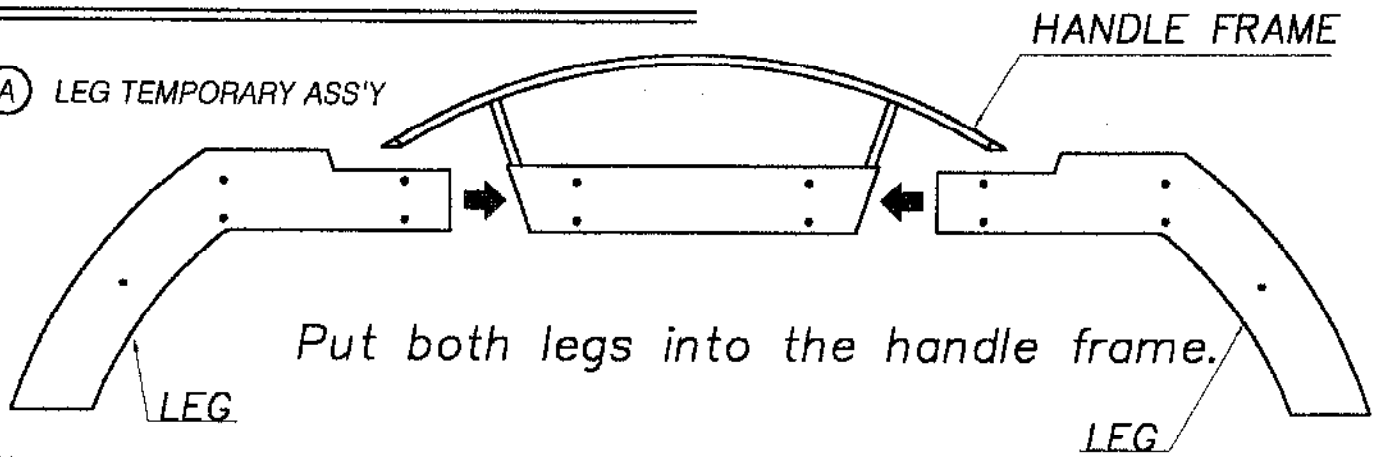
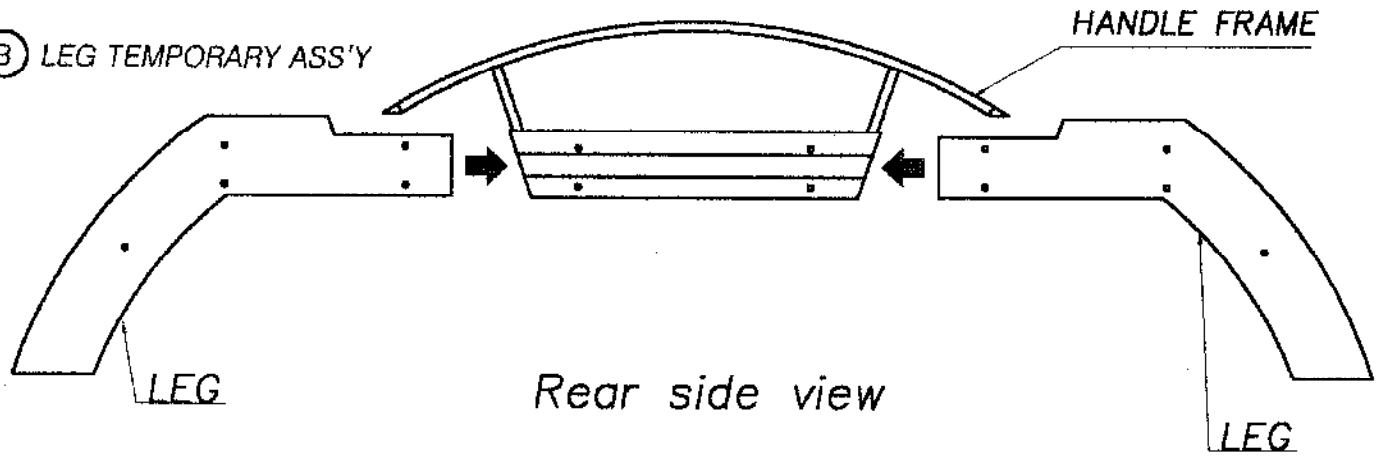


# NM-4500 ASSEMBLY DIRECTION

(A) LEG TEMPORARY ASS'Y

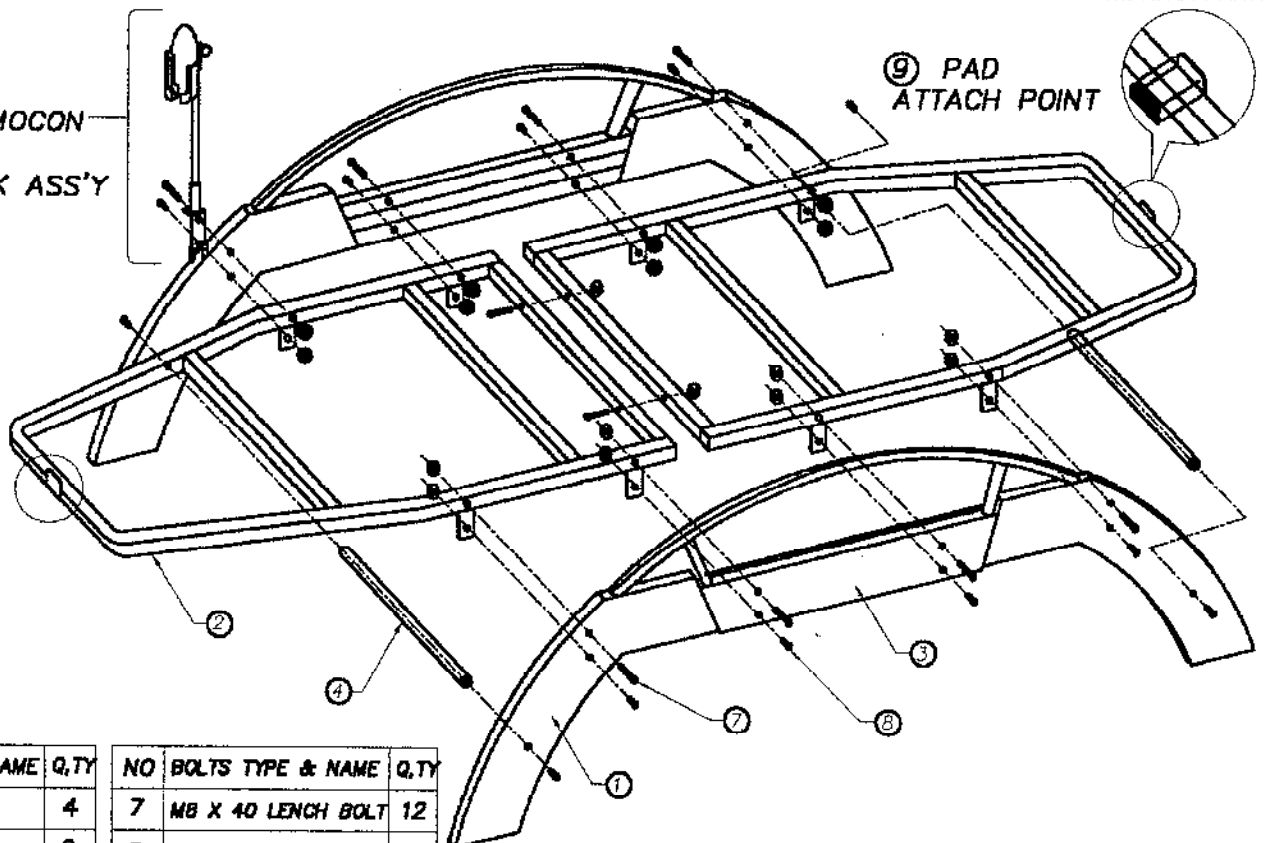


(B) LEG TEMPORARY ASS'Y



(C)

(5) REMOCON RACK ASS'Y



NO	BOLTS TYPE & NAME	Q.TY
1	LEG	4
2	BASE FRAME	2
3	HANDLE FRAME	2
4	SUPPORT ROD	2
5	REMOCON RACK ASS'Y	1
6	M8 X 70 LENCH BOLT	10

NO	BOLTS TYPE & NAME	Q.TY
7	M8 X 40 LENCH BOLT	12
8	M8 FLANGE NUT	18
9	PAD ATTACH POINT	2

Temporarily Assemble (A), (B) with Base Frame and Remocon Ass'y together. After that, Fix all bolt (M8 x 70 lench bolt) and M8 flange nut tightly.